



ROUND METAL CEILING LOUDSPEAKERS

RCS8FT/ENC



The RCS range of ceiling loudspeakers have been carefully designed to blend seamlessly in to any installation. These units are stylish yet unobtrusive.

Made from a pressed steel epoxy coated chassis incorporating a twin cone driver, which offers a wider frequency response than a standard single cone, this gives the RCS range a superior performance. Designed to make installation quick and easy and suitable for use in applications where background music and speech are the primary requirement such as shops, schools, restaurants, hotels, public houses, offices etc.



EN54-24:2008 0905-CPR-201110 TYPE A

● Standard	Compliant to EN54-24 Compliant to BS5839:8
● Electrical	
Rated power, Watts	10
Tappings 100 Volt line, Watts	10/5/2.5/1.25
Transformer Impedance, Ohms 100 Volt	1k/2k/4k/8k
Tappings 70.7 Volt line, Watts	5/2.5/1.25/0.625
Driver impedance, Ohms	8
Effective Frequency Range, Hz (BSEN60268-5)	150 - 17,000
S.P.L. @ 1 m, 1 Watt, dB, Octave, 100 Hz-10 kHz	93
S.P.L. @ 1 m, Full power, dB, Octave, 100 Hz-10 kHz	103
S.P.L. @ 4 m, 1 Watt, dB, 1/3 Octave, 100 Hz-10 kHz	66
S.P.L. @ 4 m, Full power, dB, 1/3 Octave, 100 Hz-10 kHz	76
Dispersion at 1k/2k Hz, Degrees	159/79 Horizontal 159/81 Vertical
● Environmental	
IP Rating	21
Min/Max amb temp	-10°C to 55°C
Relative Humidity	≤95%
● Mechanical	
Dimensions, mm	Ø280 x 112.8
Net weight, kg	2.2
Colour (Unless Specified)	White, RAL9016
Material	Steel
Mounting	Torsion Springs
Cut-out, mm	Ø246
Safety	Ceramic Block Thermal Fuse Capacitor for DC line monitoring



ATEIS Europe B.V.
Celsiusstraat 1, 2652 XN Lansingerland, Netherlands
Phone +31 (0)10 208 86 90, www.ateis-europe.com, info@ateis-europe.com



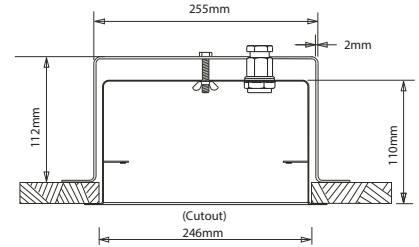
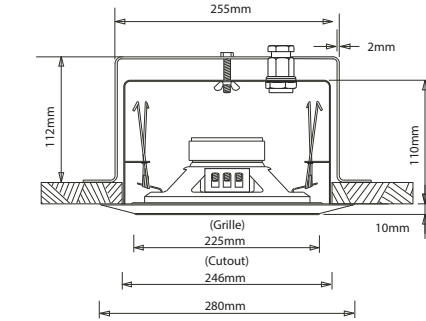
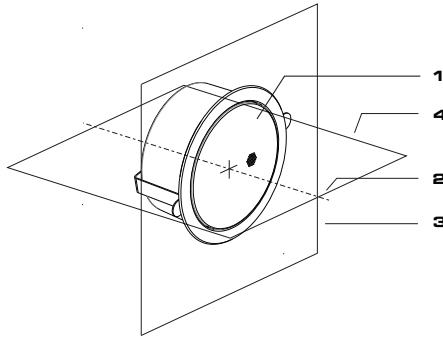


PENTON

INSTALLATION GUIDE

RCS8FT/ENC

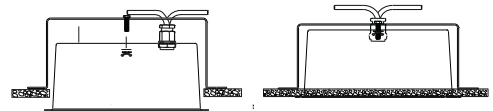
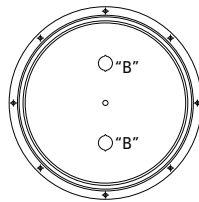
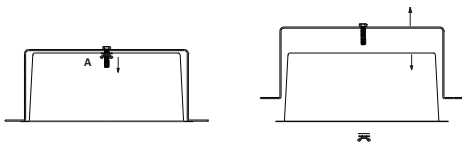
EN54-24:2008
0905-CPR-201110
TYPE A



1. Loudspeaker enclosure
2. Reference axis
3. Reference plane
4. Horizontal plane

**With Transformer:
100V/70V line**

	White wire plus tapping				Black
100V	1.25W	2.5W	6W	10W	COM
70V	0.625W	1.25W	2.5W	5W	COM
IMP (Ω)	8K	4K	2K	1K	

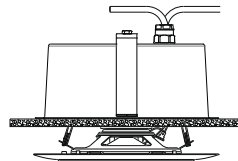
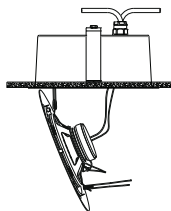


1) Remove wingnut and washer and separate the fixing bar and fire dome.

2) Gland the installation cable through the 20 mm gland entry(s) "B".

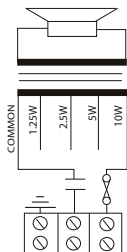
FITTING THE DOME INTO A CEILING

3) Cut a 246 mm hole paying attention to ensure that the cutout is accurately made. If not the speaker may not fit correctly and stop the speaker from sitting flush to the surface. Place the fixing bar into the voided area and insert the fire dome into the pre-cut hole. Locate the retaining bolt through the centre hole in the fire dome, fit the washer and wingnut. Tighten the wingnut to secure the fire dome into position.



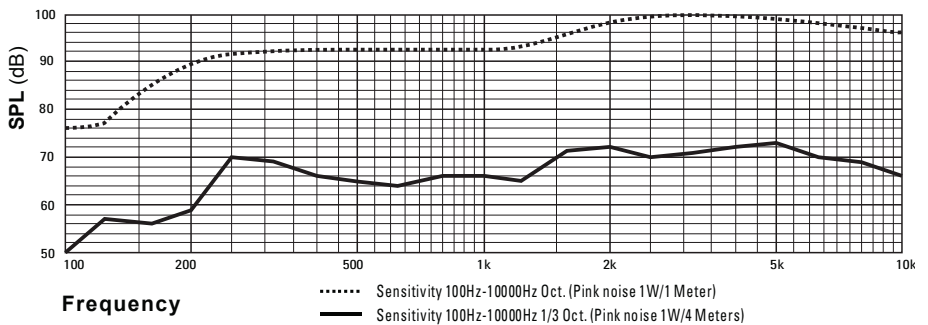
4) Fitting the speaker into the fire dome. Compress one of the "V" springs and locate into the retaining ear within the fire dome. Terminate the installed cable to the 3 way terminal block located on the speaker.

5) Compress the second "V" spring and locate this into the second retaining ear within the fire dome. Please ensure cables are clear of the "V" springs. Gently push the speaker up into the fire dome and the "V" springs will locate the unit into the fire dome. Please do not push against the perforated grille of the speaker.



Circuit Diagram

Frequency response



Disclaimer: We reserve the right of changes and errors.



ATEiS Europe B.V.
Celsiusstraat 1, 2652 XN Lansingerland, Netherlands
Phone +31 (0)10 208 86 90, www.ateis-europe.com, info@ateis-europe.com

